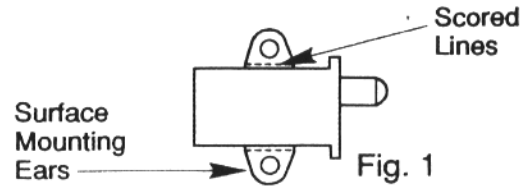


INSTALLATION INSTRUCTIONS FOR RTS2 TAMPER SWITCH WITH RST SERIES STROBES

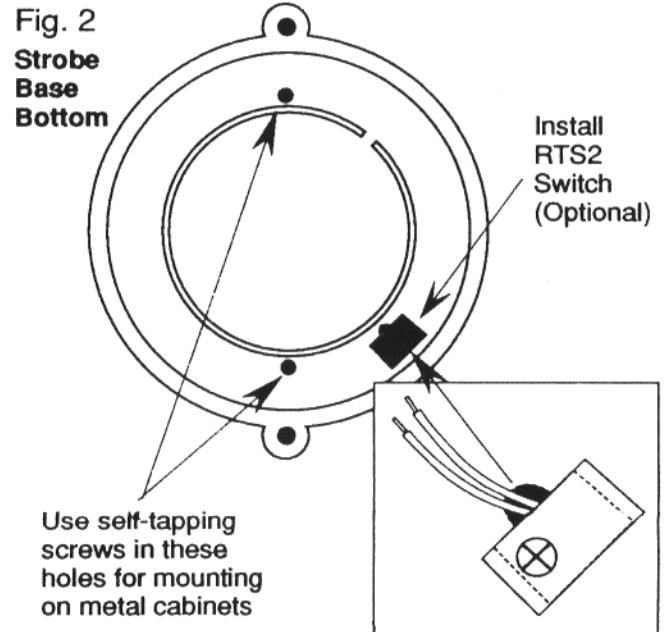
Two RTS2 Tamper Switches can be installed with these Strobes when needed for high security applications. One will indicate removal of the Lens, while the other will indicate removal of the Strobe.

To use the RTS2 switch for this application, it is necessary to snap off the two surface mounting ears at the scored lines.



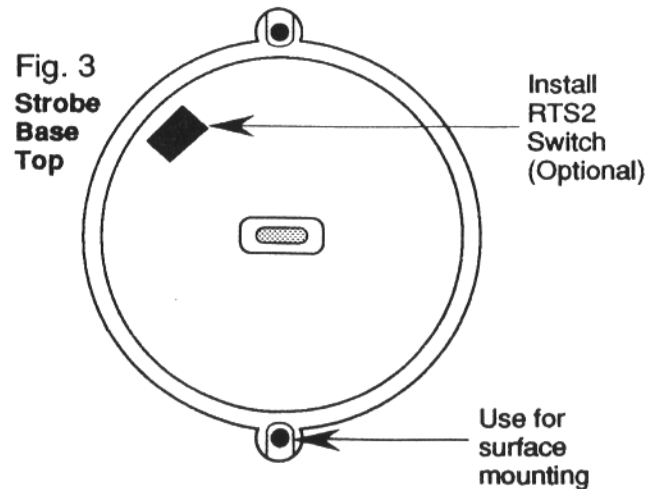
TAMPERING THE STROBE BASE

1. Remove snap-off ears from RTS2 Switch (Fig. 1).
2. Install the RTS2 into the rectangular hole in the rear of the strobe base (Fig. 2).
3. Route the leads of the RTS2 against the body of the switch so that they will fit into the tunnel which is part of the rectangular hole.
4. Push the RTS2 all the way in, while checking that the leads are properly routed.



TAMPERING THE STROBE LENS

1. Remove snap-off ears from RTS2 Switch (Fig. 1).
2. Unscrew the outer lens from the Strobe.
3. Install the RTS2 into the rectangular hole in the reflector (Fig. 3). There is a knockout at the bottom of this hole for the leads to pass through.
4. Use silicone seal or any appropriate sealant to seal this hole after passing the leads through. It is important to seal this opening properly if you want the strobe to remain weatherproof.
5. Note: Tampering is not advised on the 110VAC series strobes.



REVERE INDUSTRIES
1101 BIENVILLE STREET
NEW ORLEANS, LA 70112
504 523-3503 • 800 843-8321