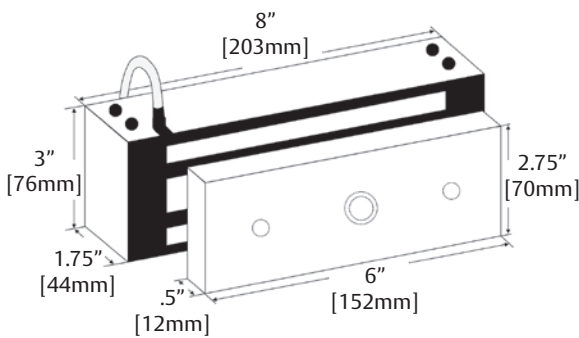
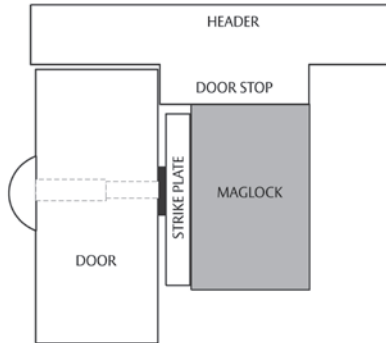


M62 Series

1200 lbs. Holding Force Magnalock®

1200 lbs. holding force Magnalock with automatic dual voltage. Recommended for exterior and perimeter doors through which criminals could gain entrance to cause substantial economic loss.



The M62 requires 2.5 inches of flat mounting space



Optional M62 Brackets & Accessories

Prefix	Description
ASB	Aluminum Shim Bracket
SFP	Stop Filler Plate
CWB	Concrete Wood Bracket
UHB	Universal Header Bracket
HEB	Header Extension Bracket
GDB	Glass Door Bracket
ZA	Adjustable Z-Bracket Kit
DC	Dress Cover

U.S. Patents:
#4,516,114 and #4,682,801
NEMA: 4X IEC: IP 66



Features & Benefits

- Patented instant release circuit - no residual magnetism
- Fully sealed electronics - tamper proof and weatherproof
- Mounted using steel machine screws into blind finishing nuts
- Architectural brushed stainless steel finish (US32D/630)
- All ferrous metal surfaces plated to MIL specification
- Hardware accessories available to configure any opening type include mounting brackets, housings and dress covers
- Ten feet [3.05m] of jacketed, stranded conductor
- Automatic dual voltage - no field adjustment required
- Lock options include BondSTAT magnetic bond sensor, integrated door position switch, conduit fitting, double and face mount models
- Universal threaded conduit fitting is 1/2" female - 3/4" male
- Split Strike Plates and Offset Strike Plates available (p. 9)
- UL Listed

Specification Data

Holding Force: 1200 lbs. [544 Kg.]
Current Draw and Voltage: 250mA at 12VDC; 150mA at 24VDC
Operating Temperature: -40 to +140F [-40 to +60C]
Shipping Weight: 11 lbs.
Warranty: MagnaCare Lifetime Replacement Warranty

How To Order

Part #	Description
M62	Magnalock Model 62
M62F	M62, Face Mount
M62FG	M62, Face Mount, Conduit
M62FGB	M62, Face Mount, Conduit, Mag Bond Sensor
M62FGBD	M62, Face Mount, Conduit, Mag Bond Sensor, Door Position Switch
M62FGD	M62, Face Mount, Conduit, Door Position Switch
M62FD	M62, Face Mount, Door Position Switch
M62G	M62, Conduit
M62GB	M62, Conduit, Mag Bond Sensor
M62GBD	M62, Conduit, Mag Bond Sensor, Door Position Switch
M62GD	M62, Conduit, Door Position Switch
M62B	M62, Mag Bond Sensor
M62FB	M62, Face Mount, Mag Bond Sensor
M62FBD	M62, Face Mount, Mag Bond Sensor, Door Position Switch
M62BD	M62, Mag Bond Sensor, Door Position Switch
M62D	M62, Door Position Switch

Brackets and Accessories for the M62 begin on page 15

www.securitron.com