

# VELA

ELECTRO-HYDRAULIC BARRIER GATE FOR **COMMERCIAL USE**

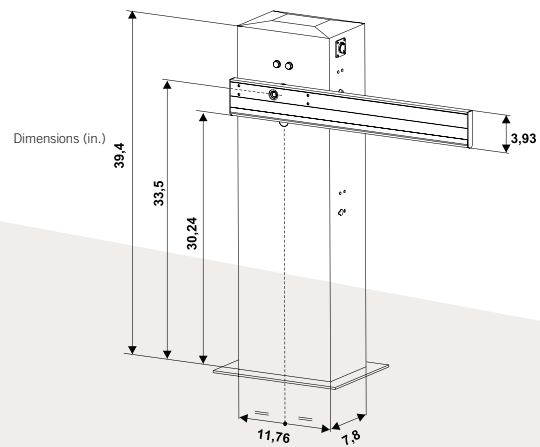


Compliant to UL 325

VELA is a hydraulic barrier for commercial use.

- By-pass valve for torque regulation.
- Maximum beam length: 16 feet.
- Opening time: from 2.5 sec. to 7.5 seconds.
- Hydraulic slow down.
- Metal case.
- Control board: GATE 1.
- Duty Cycles\*: 75% rate of use.

\* Duty Cycles depend on installation



### ACCESSORIES

Code	Description	Price \$
11910045	Round beam kit 6,5 ft. + balancing spring for Vela	
11910050	Round beam kit 8,2 ft. + balancing spring for Vela	
11910055	Round beam kit 10 ft. + balancing spring for Vela	
11910060	Round beam kit 13 ft. + balancing spring for Vela	
11910065	Round beam kit 16,7 ft. + balancing spring for Vela	
16200100	Fork support for Vela beam	
16200050	Foundation plate for Vela	

### ACCESSORIES



BEAM



SPRING



FOUNDATION PLATE



FORK SUPPORT

### SPECIFICATIONS

Code	Description	Power	Max beam length	Cycles	Operator weight	Opening time	Price \$
116AC4S0	Vela BRAKE	1/3 HP	16 feet	Intensive	150 pounds	5-7 sec.	