

ROFU® ELECTRIC STRIKE
MODEL 2400 Kit

Replaces the 2402 & 2404 Series



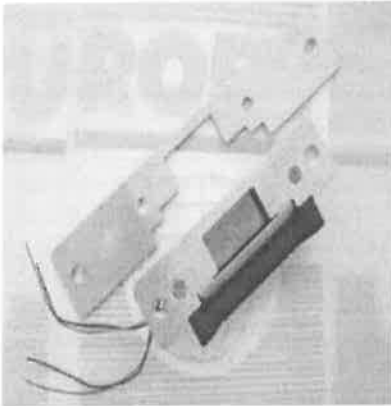
The Do it all Strike!



Model 2400 KIT - Fail - Safe / Fail - Secure

Electric strikes for use with mortise and cylindrical locksets.
For Commercial and Residential, New and Retrofit Uses.

STANDARD FEATURES



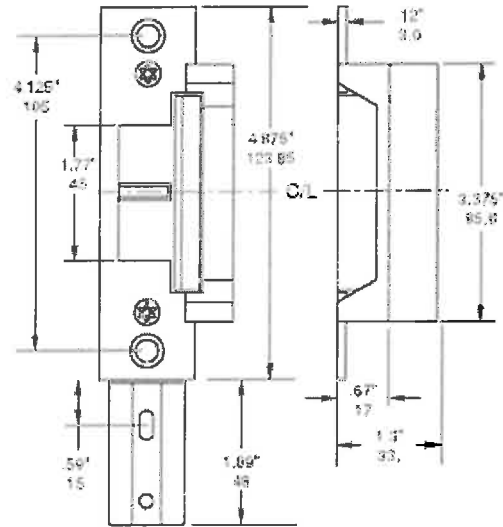
- Both Stainless Steel Faceplates
- 12/24 dual Voltage
- Frame Type - Hollow Metal, Aluminum or Wood
- Corrosion - Resistant case and moving parts.
- Tamper Strength Test - 1500 lbs. (700kg)
- Cycle Test 1,000,000 cycles
- Keeper Depth - 1/2", Maximum Latch Projection possible with 1/8" Door/Frame Clearance - 5/8"
- Strike Depth - 1.1/4" Overall
- Reversible - Non Handed
- Stainless Steel Keeper
- Limited Warranty - 36 Months
- Easily converts from fail safe to fail secure and back.
- UL Listed for Burglary Protection - BP3741

Line Art

Installation Drawing
Hollow Metal

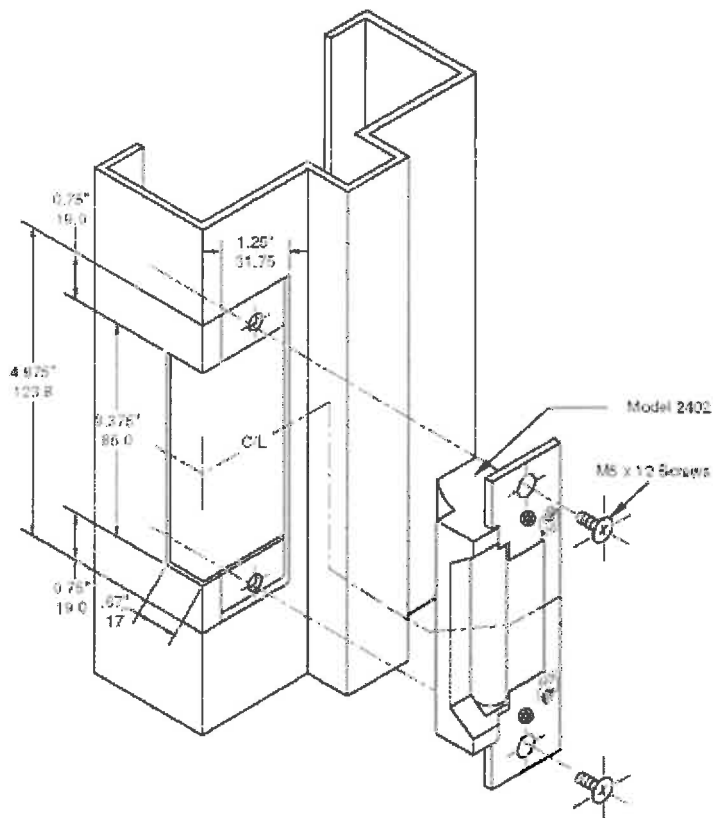
Optional Features	
Monitor Switch	Still remains series specific 2402x05LM, 2402x08LM or 2404x05LM, 2404x08LM
1" Lip Extension, specify #5525. XXXXXX 2" Lip Extension, specify #5550.	

2402 SERIES - LINE ART (please see 2404 for longer faceplate)



Note: Not to scale. Technical Data are subject to change without notice.
Dimensions in Inches and Millimeters

2402 - Series Installation (please see 2404 for longer faceplate)
Hollow Metal Jamb



[Download pdf file](#)

Note: Not to scale. Technical Data are subject to change without notice.
Dimensions in Inches and Millimeters